

## Pressure sensor series DT16

Pressure transmitter, Ø16mm, 45 long, 9-30V DC, G1/8 "A, 4-20mA, M8 plug connector  
4-pin, IP67, stainless steel V2A



### Compact design LABS-free

The DT16 series pressure transmitters in stainless steel housing (protection class IP67) with G1/8" process connection are very lightweight, compact devices for a wide range of pressure and vacuum applications in handling and automation systems. The measuring cell is suitable for filtered, dry or lubricated compressed air, making the pressure transmitters ideal e.g. for pneumatic applications in robotics. The materials used in production are free from so-called "paint wetting impairment substances" (LABS) such as silicones or fluorine-containing substances.

#### Advantages

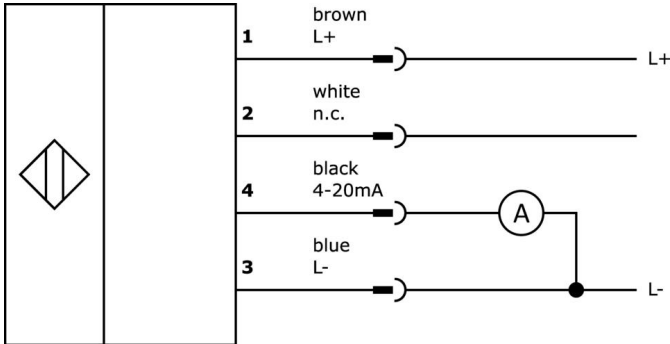
- Particularly compact (L: 44.5mm, Ø 15.5mm) and lightweight (25g)
- Analog output 4...20mA (overall accuracy ±0.5%, repeat accuracy ±0.2%)
- free of "paint wetting impairment substances" (LABS)

| Article No.                                   | DT164100   | DT16410D   | DT16410J   | DT16410K    |
|---|--|------------|------------|-------------|
| Operating voltage                             | 9-30VDC  |            |            |             |
| Measuring range pressure                      | -1 - 0 bar   | 0 - 10 bar | -1 - 1 bar | -1 - 10 bar |
| Max. operating pressure                       | 2 bar  | 15 bar     | 2 bar      | 15 bar      |
| Measurement method                            | Relative   |            |            |             |
| Type of process connection                    | G1/8 inch  |            |            |             |
| dimensions                                    | Ø15.5mm, 44.5mm long                                   |            |            |             |
| Electrical connection                         | M8 4-pin plug connector                                |            |            |             |
| ardTEEL_Schutzfunktionen                      | Short circuit protection   Reverse polarity protection |            |            |             |
| Type of analog output                         | 4 - 20mA   |            |            |             |
| Relative linearity deviation                  | 0.5 %  |            |            |             |
| Relative repeat accuracy                      | 0.2 %  |            |            |             |
| Long-term drift per year                      | 0.1 %  |            |            |             |
| Temperature drift over entire measuring range | 1.5 %  |            |            |             |
| Housing material                              | Stainless steel 1.4305                                 |            |            |             |
| Material of the process connection            | Nickel-plated (n-pltd) brass                           |            |            |             |
| Material of the measuring cell                | Silicon (piezoresistive)                               |            |            |             |
| Medium temperature                            | 0 - 80 °C  |            |            |             |
| Ambient temperature                           | -25 - 85 °C  |            |            |             |
| Degree of protection (IP)                     | IP67   |            |            |             |

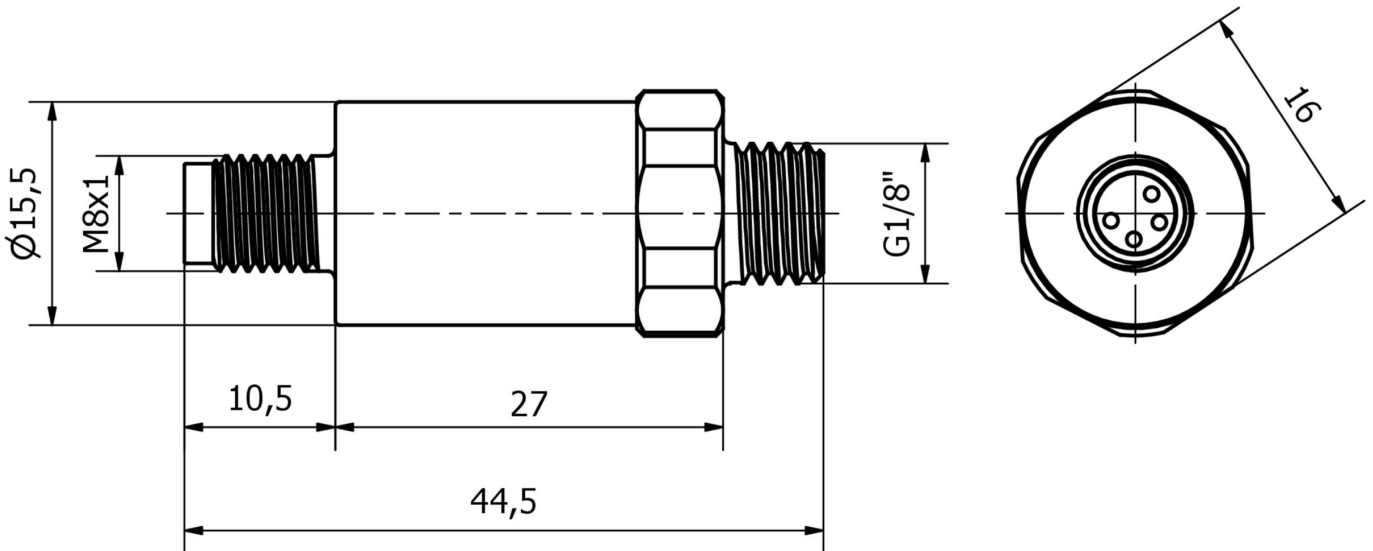
**Important notes**

**/** Installation position Any (connection to pressure system with fan facing downwards)

**Connection**

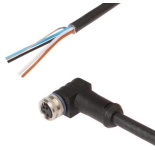


**Dimensional drawing**



**Extract accessories program**

**VK505371**



Connection cable, 5m, M8 socket 4-pin angular, free cable end, 4x0.34mm<sup>2</sup>, PUR (polyurethane), Ø5.5mm, 60V, -25-90°C, IP67, shielded, suitable for trailing chain and torsion resistant, oils and cooling lubricants, welding range, silicone-free

**VK505375**



Connection cable, 5m, M8 socket 4-pin straight, free cable end, 4x0.34mm<sup>2</sup>, PUR (polyurethane), Ø5.5mm, 60V, -25-90°C, IP67, shielded, suitable for trailing chain and torsion resistant, oils and cooling lubricants, welding area, silicone-free

**AD000014**



accessories pressure, Quick clip, 30x22x16mm, Holder, Plastic, 90°

**AD000015**



accessories pressure, Mounting bracket with adapter flange, 44x16x31mm, Adaption, mounting material and bracket, External thread 1/8" - 4mm, Steel, 90°

**AD000016**



accessories pressure, Mounting bracket with adapter flange, 44x16x31mm, Adaption, mounting material and bracket, External thread 1/8" - 6mm, Steel, 90°

**AD000021**



Pressure accessories, profile seal G1/8", Ø11.9mm 1.0 high, fluorocarbon rubber FKM, green

**AD000022**



Pressure accessories, adapter, G1/8, 15 long, nickel-plated (n-pltd) brass

You can find further accessories on our homepage



**Installation**

Mounting / installation may only be carried out by a qualified electrician!



**Disposal**

WEEE number according to § 6 para. 3 ElektroG: 40951076

**Safety warnings**

/ Before initial operation, please make sure to follow all safety instructions that may be provided in the product information.

/ Never use these devices in applications where the safety of a person depends on their functionality.